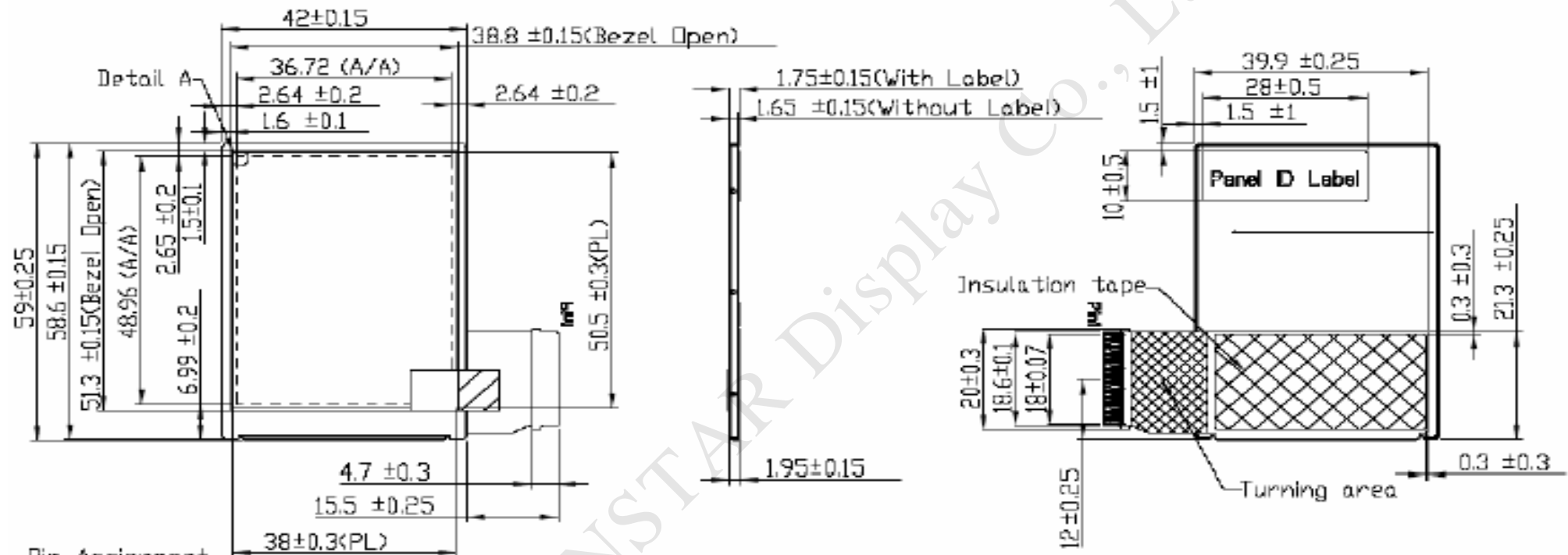


Contour Drawing

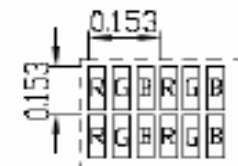


Pin Assignment

No	De-fine	No	De-fine	No	De-fine	No	De-fine	No	De-fine
1	AR_VDD	14	C32M	27	DB13	40	DB0	53	VREGIOUPE
2	AR_VSS	15	VLOUT3	28	DB12	41	VS SYNC	54	VCI
3	VCI	16	VLOUT2	29	DB11	42	HS SYNC	55	VGH
4	VCI	17	C21P	30	DB10	43	DOTCLK	56	VGL
5	GND	18	C21M	31	DB9	44	ENABLE	57	GND
6	C12M	19	VGS	32	DB8	45	SDI	58	X-
7	C12P	20	IDVCC	33	DB7	46	SDO	59	Y-
8	C11M	21	SPB	34	DB6	47	CSB	60	X+
9	C11P	22	ID_MIB	35	DB5	48	RW_WRB	61	Y+
10	VLOUT1	23	DB17	36	DB4	49	RS		
11	C31P	24	DB16	37	DB3	50	E_RDB		
12	C31M	25	DB15	38	DB2	51	RESETB		
13	C32P	26	DB14	39	DB1	52	MVDD		

NOTES:

1. DOT MATRIX : 240x320
2. DOT PITCH : 0.153x0.153
3. Connector : HOROSE FH23-61S-0.9SHW(05)



Detail A